

JAB 007 series



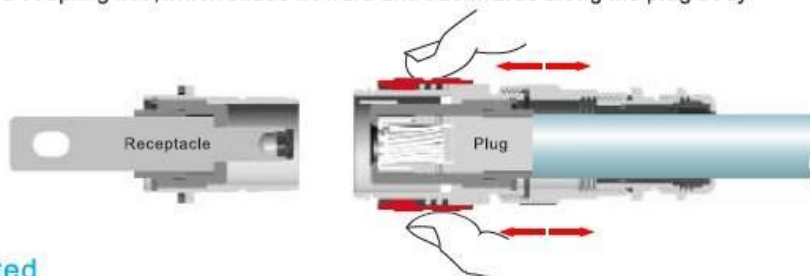
Features & Benefits

- Rated current: 120A/200A/300A/400A
- Nominal voltage: 600V
- JAB 360° RADSOK contact technology
- Push pull quick lock
- Single pole
- Metal housing
- IP67 waterproof
- Shielding
- Multicolor
- Multi keying design
- Mate cycles: >20,000

Push pull quick lock system

■ How Does it work?

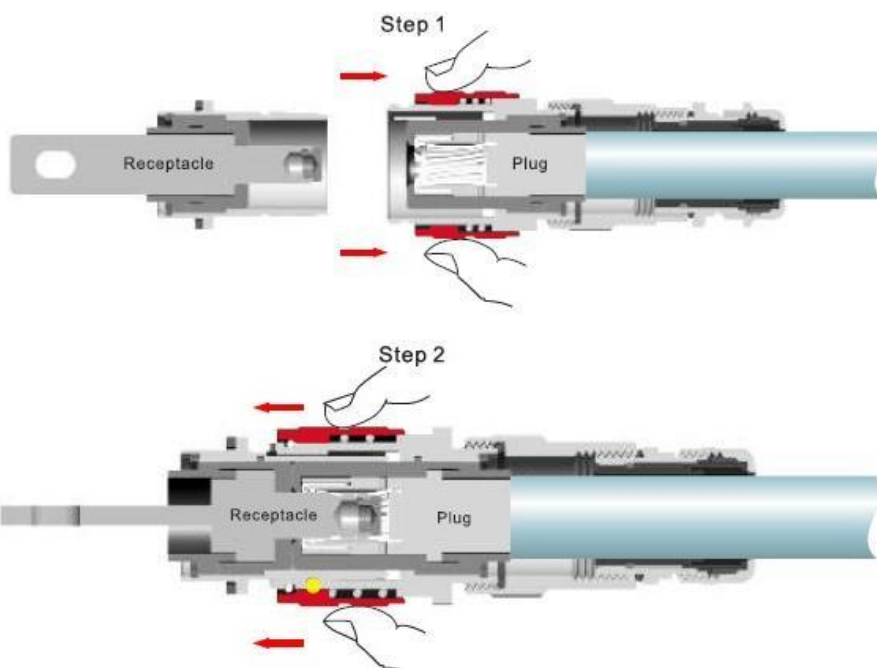
The plug has a coupling nut ,which slides froward and backwards along the plug body



■ When Mated

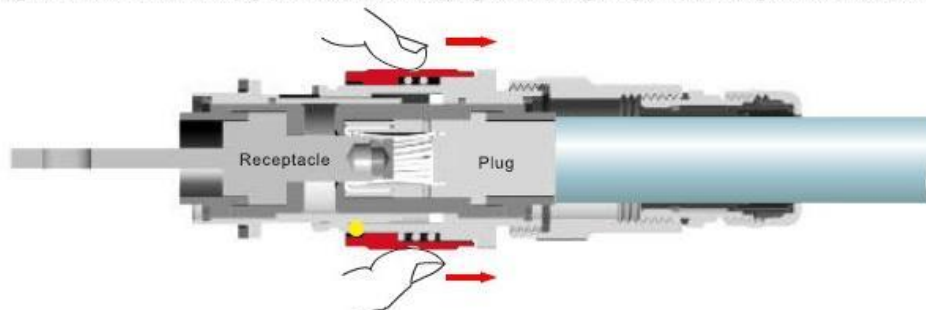
Step 1: pull back on the plug's coupling ring about 5 mm

Step 2: Align the single keyway on the plug to the key on the receptacle and push the halves together to create a locked

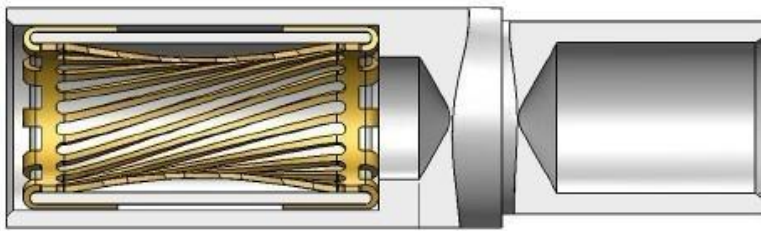
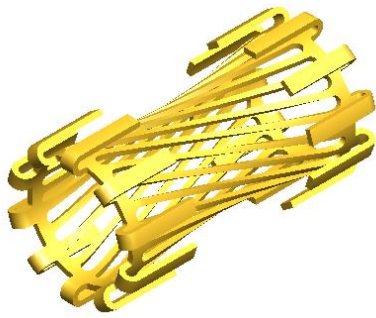


■ When Unplugging

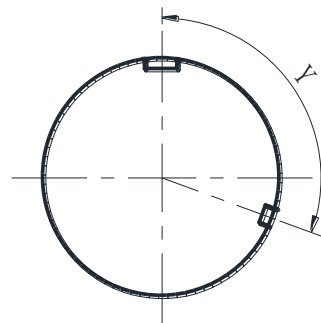
To disengage the connector simply pull back on the plug's coupling ring ,separating the connector ring



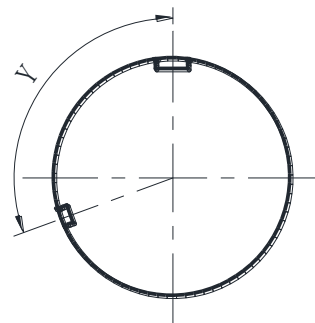
JAB 360° RADSOK multi contact technology



Key and color



Receptacle (From front)



Plug (From front)

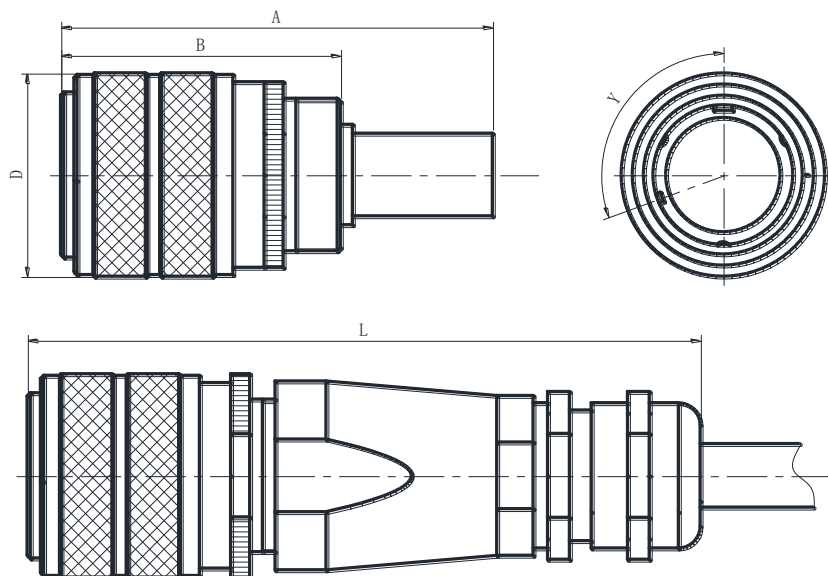
Key	Angle Y	Color
1	110°	red
2	135°	slivery
3	160°	black
4	200°	blue
5	240°	green

007-120A series

1.0 Benefits & feature

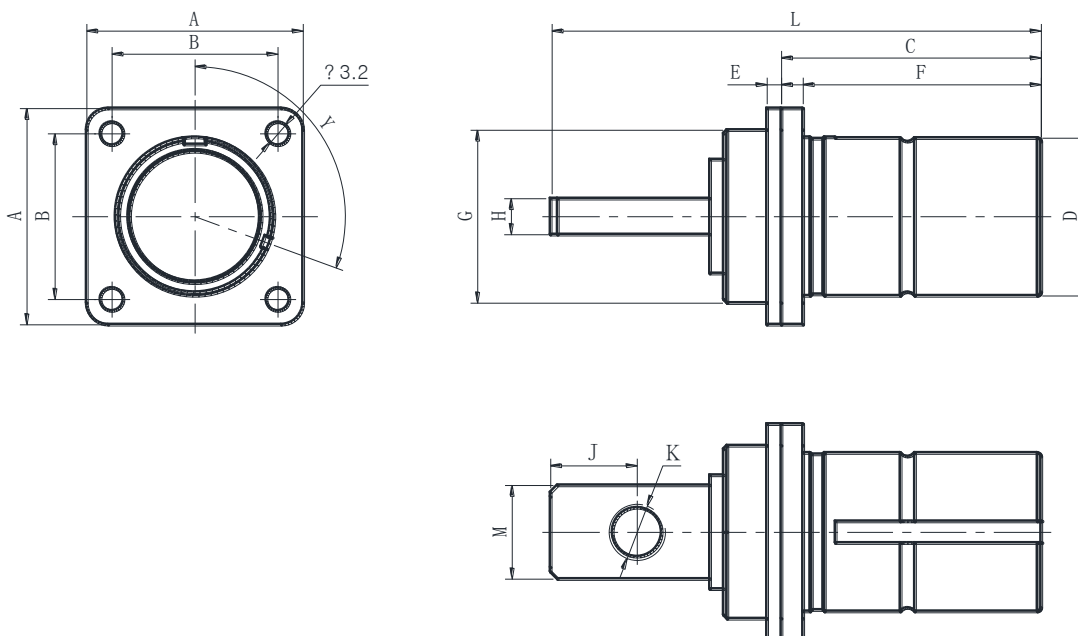
- Rated current :120A
- Norminal voltage: 600V
- Cable cross section area: 16mm²、25mm²

1.1 Straight plug/crimp terminal / PN:JAB-007-120-XXX-1PX (XXX-cable cross section / X-colour)



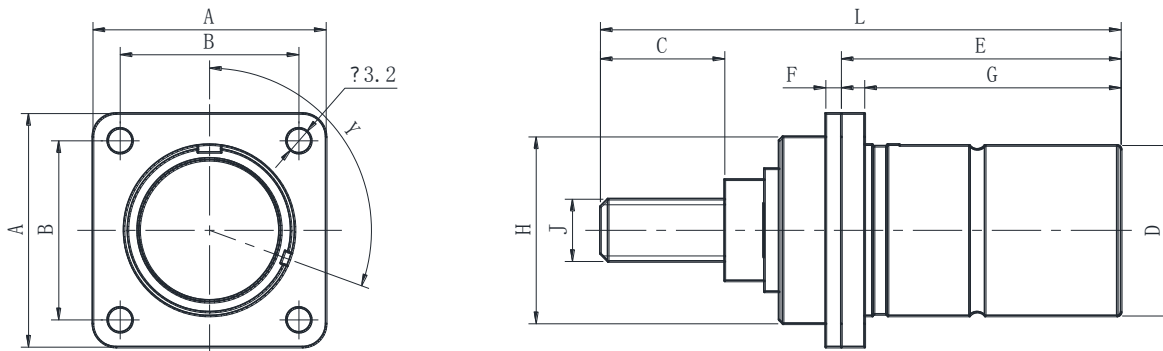
A	B	L	D
60	30	90	∅ 26

1.2.1 Straight receptacle /Threaded hole connection / PN:JAB-007-120-M06-1RX



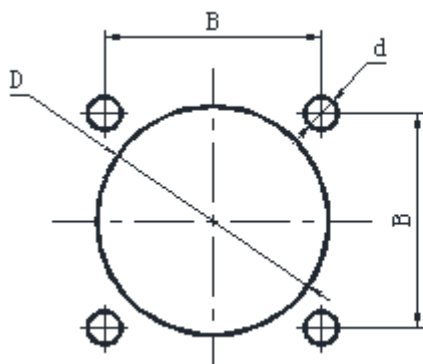
L	A	B	C	D	E	F	G	H	J	K	M
57	26	20	30	∅ 18	2	27	∅ 20	4	8	M6	9.5

1.2.2 Straight receptacle /Screw connection /PN:JAB-007-120-M06-2RX



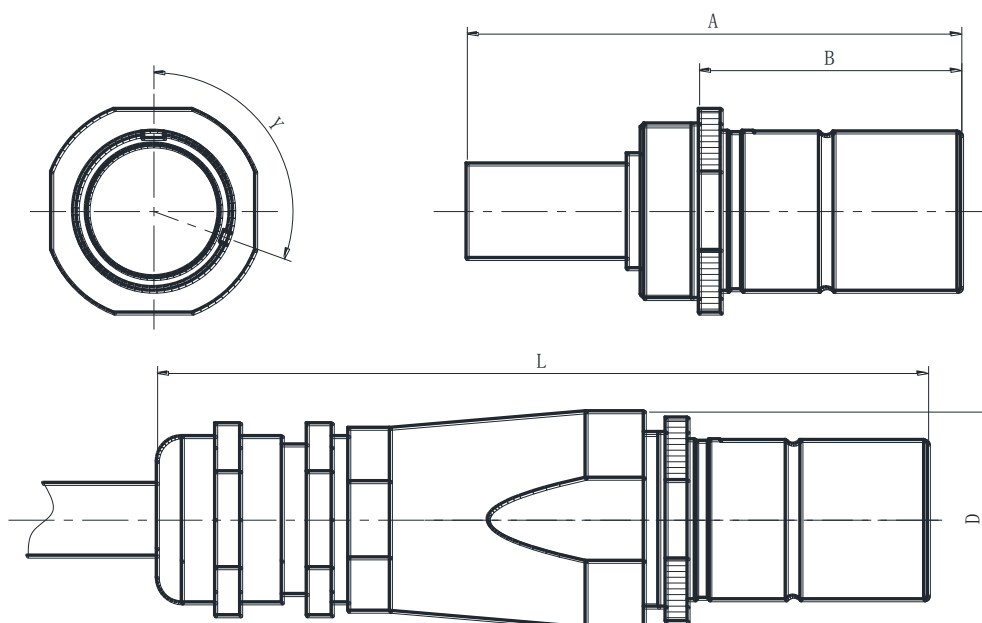
L	A	B	C	D	E	F	G	H	J
55	26	20	13	∅ 18	30	2	27	∅ 20	M6

Panel cut of 1.2.1 & 1.2.2



B [∅]	D [∅]	d [∅]
20 [∅]	∅ 20.5 [∅]	∅ 3.5 [∅]

1.2.3 Straight receptacle in line/Crimp terminal/ PN: JAB-007-120-XXX-3RX



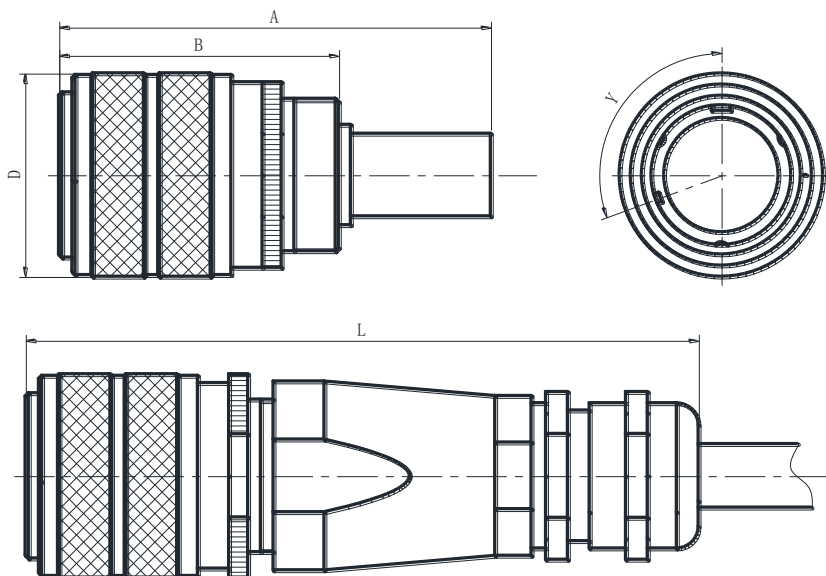
A	B	L	D
60	30	90	∅ 26

007-200A series

2.0 Benefits & feature

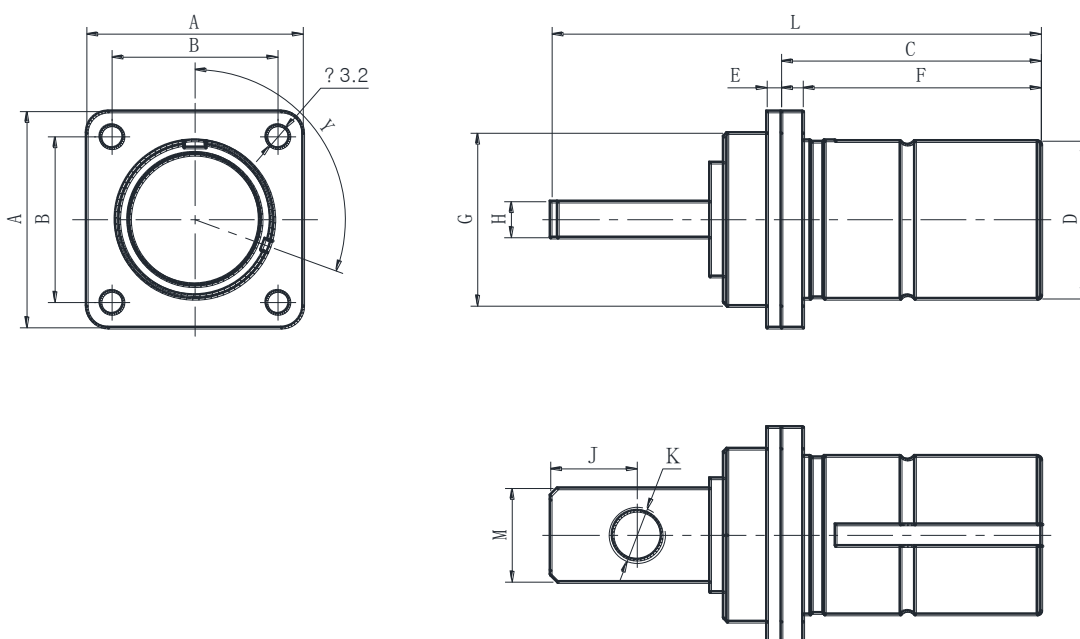
- Rated current :200A
- Norminal voltage: 600V
- Cable cross section area:35mm²、50mm²

2.1 Straight plug/crimp terminal / PN:JAB-007-200-XXX-1PX (XXX-cable cross section / X-colour)



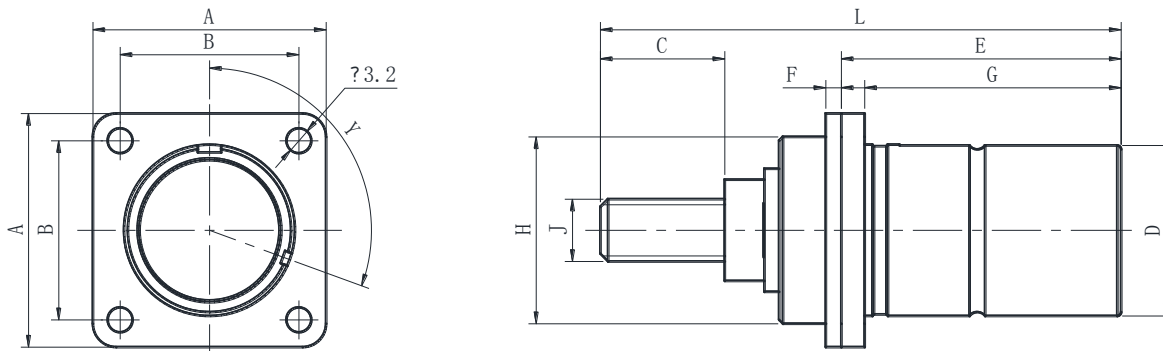
A	B	L	D
70	35	105	∅ 32

2.2.1 Straight receptacle /Threaded hole connection / PN:JAB-007-200-M08-1RX



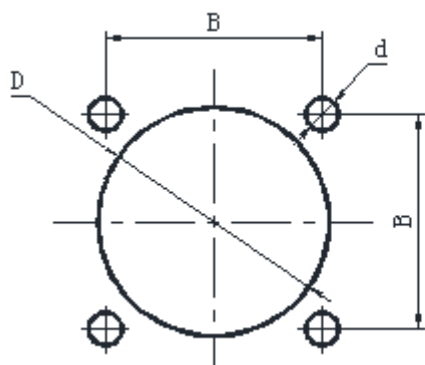
L	A	B	C	D	E	F	G	H	J	K	M
68	30	23	36	∅ 22	2	33	∅ 24	5	12	M8	13

2.2.2 Straight receptacle /Screw connection / PN:JAB-007-200-M08-2RX



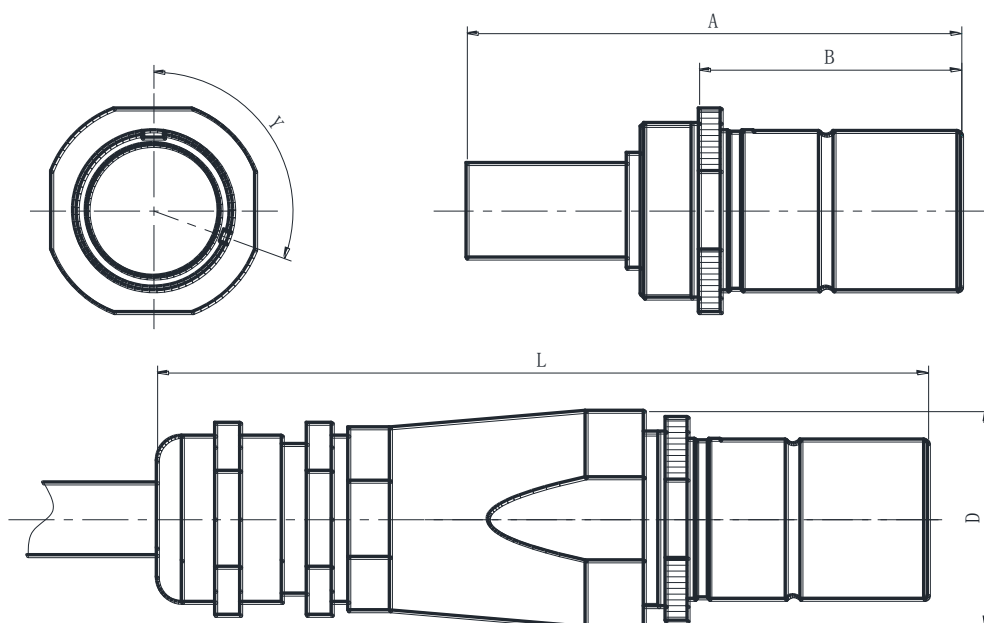
L	A	B	C	D	E	F	G	H	J
65	30	23	15	∅ 22	36	2	33	∅ 24	M8

Panel cut of 2.2.1 & 2.2.2



B [∅]	D [∅]	d [∅]
23 [∅]	∅ 24.5 [∅]	∅ 3.5 [∅]

2.2.3 Straight receptacle in line/Crimp terminal /JAB-007-200-XXX-3RX



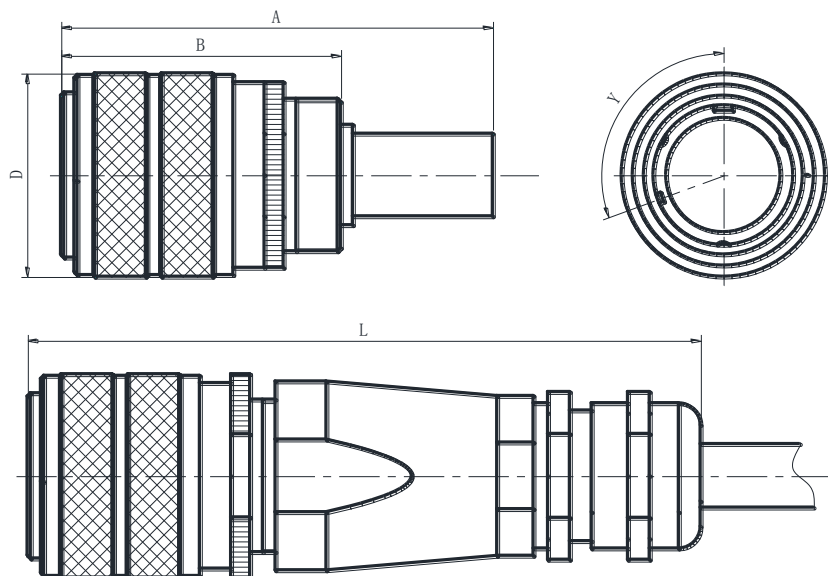
A	B	L	D
70	36	105	∅ 32

007-300A series

3.0 Benefits & feature

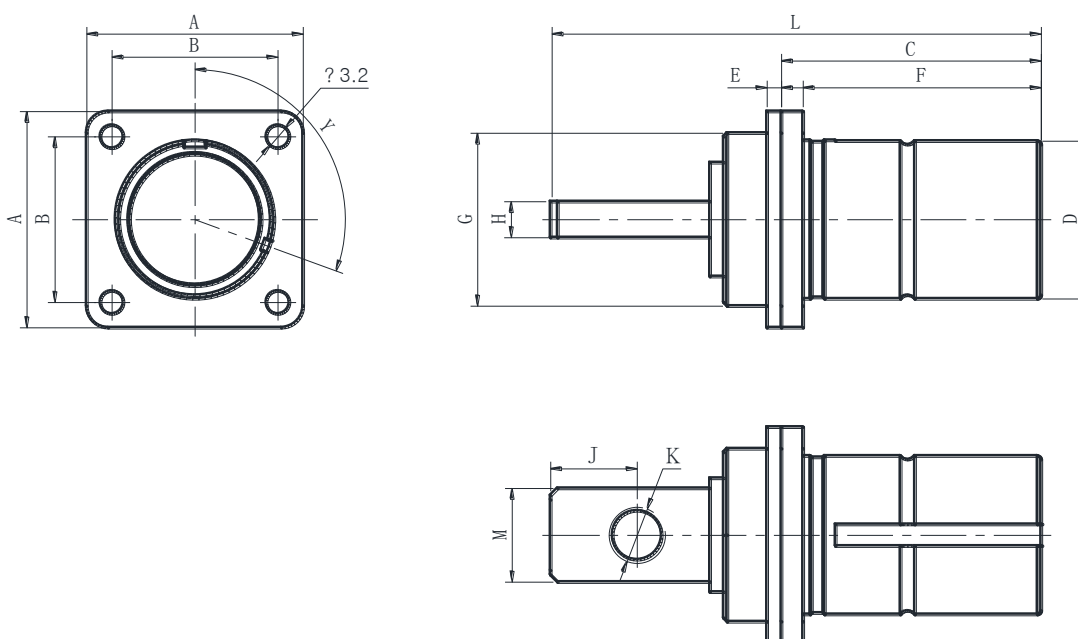
- Rated current :300A
- Norminal voltage: 600V
- Cable cross section area: 70mm² 、 95mm²

3.1 Straight plug/crimp terminal / PN:JAB-007-300-XXX-1PX (XXX-cable cross section / X-colour)



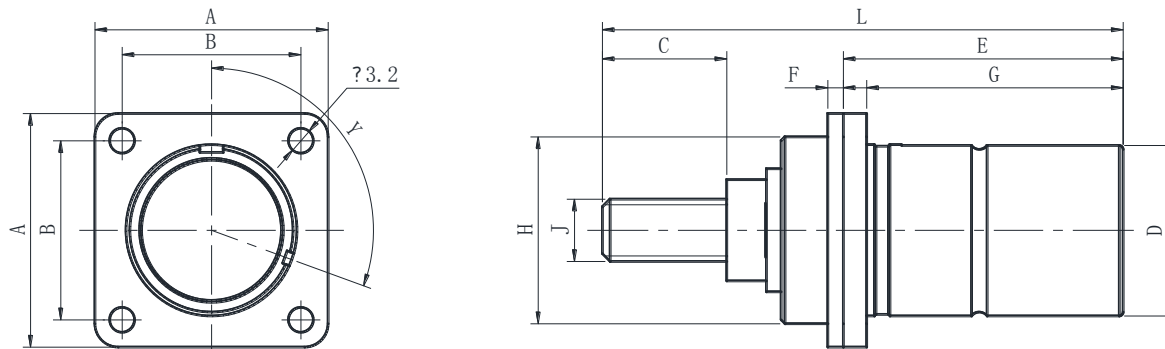
A	B	L	D
80	40	120	∅ 38

3.2.1 Straight receptacle /Threaded hole connection / PN:JAB-007-300-M10-1RX



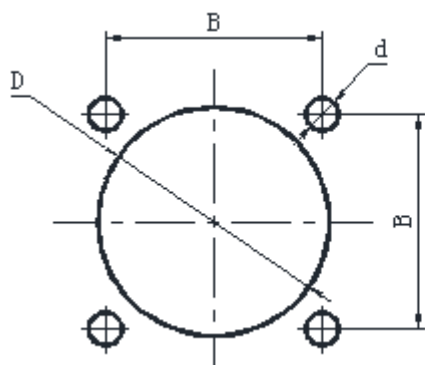
L	A	B	C	D	E	F	G	H	J	K	M
80	35	27	41	∅ 28	2	38	∅ 30	6	14	M10	16

3.2.2 Straight receptacle /Screw connection /PN:JAB-007-300-M10-2RX



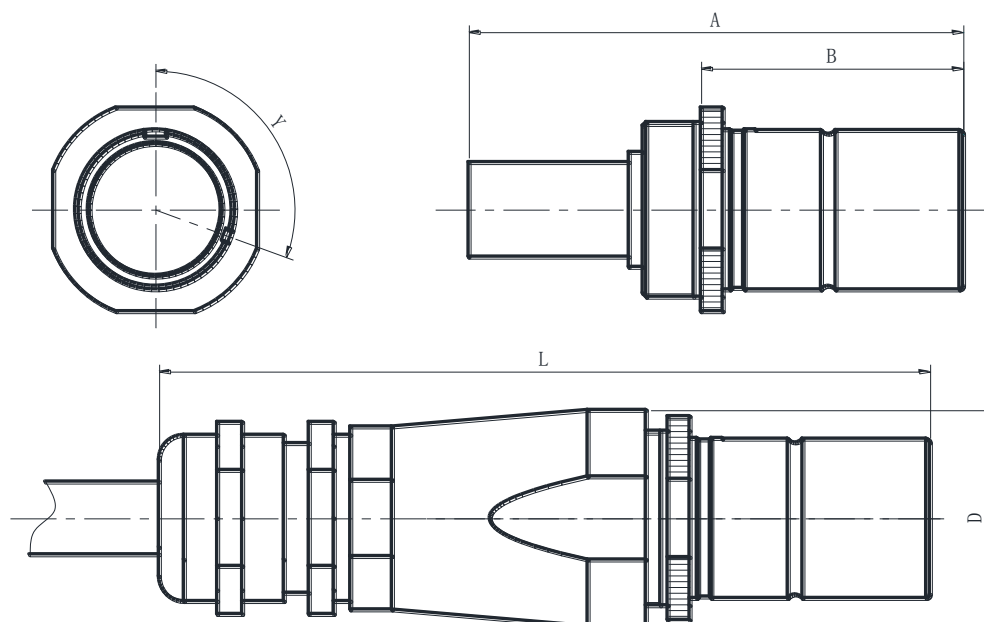
L	A	B	C	D	E	F	G	H	J
75	35	27	20	∅ 28	41	2	38	∅ 30	M10

Panel cut of 3.2.1 & 3.2.2



B [∅]	D [∅]	d [∅]
27 [∅]	∅ 30.5 [∅]	∅ 3.5 [∅]

3.2.3 Straight receptacle in line/Crimp terminal /PN:JAB-007-300-XXX-3RX



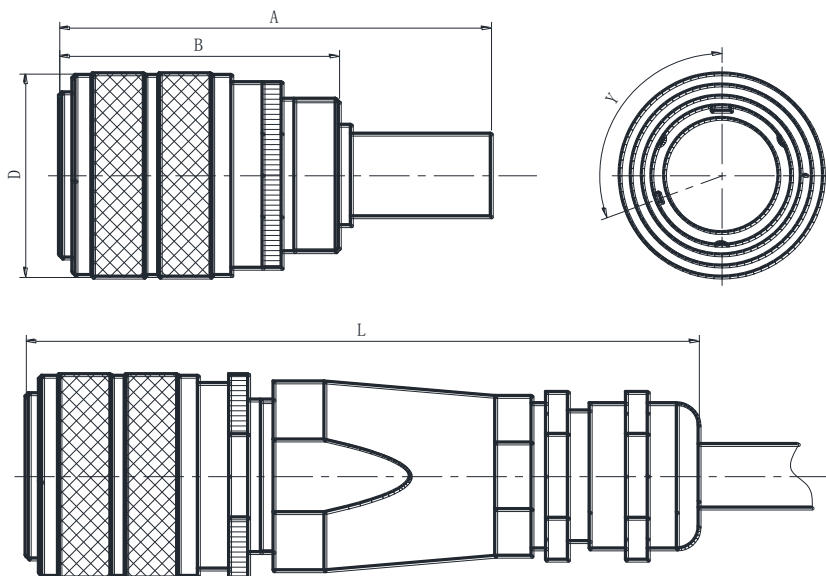
A	B	L	D
80	41	120	∅ 38

007-400A series

4.0 Benefits & feature

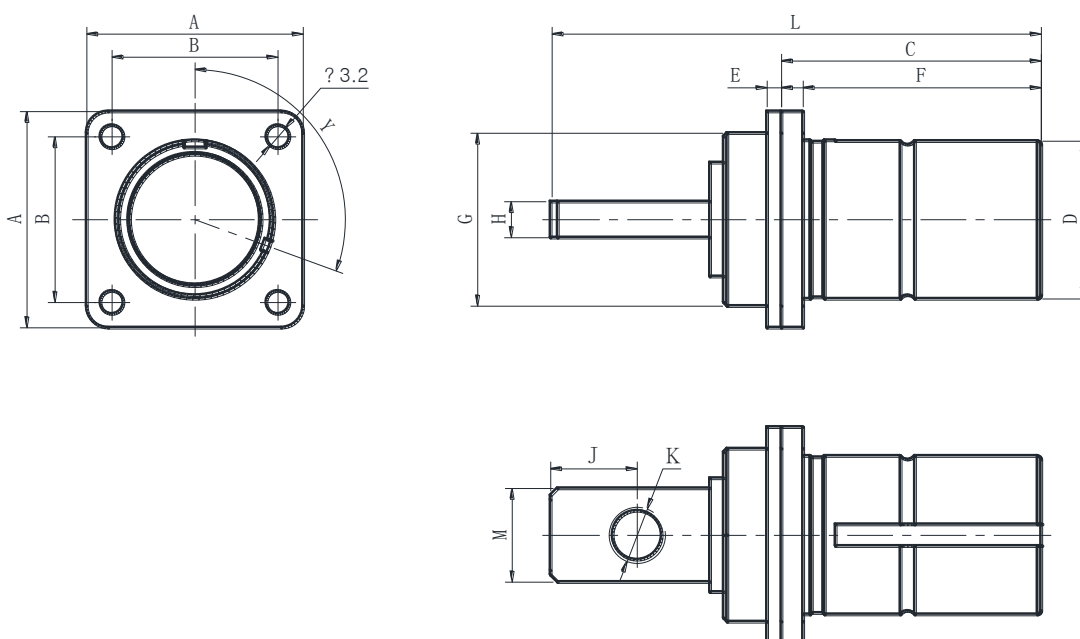
- Rated current :400A
- Norminal voltage: 600V
- Cable cross section area: 95mm² 、 120mm²

4.1 Straight plug/crimp terminal / JAB-007-400-XXX-1PX (XXX-cable cross section / X-colour)



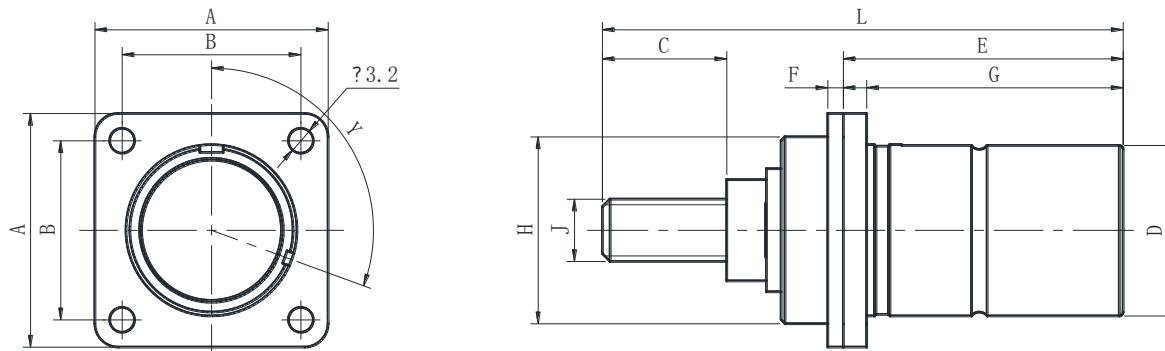
A	B	L	D
80	40	120	∅ 38

4.2.1 Straight receptacle /Threaded hole connection / PN:JAB-007-400-M10-1RX



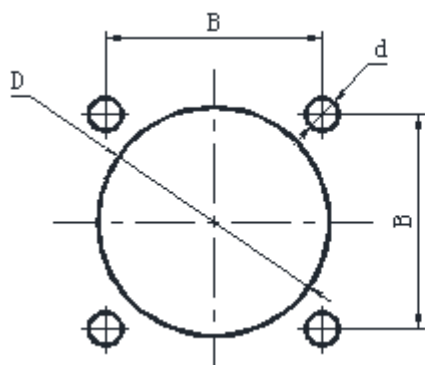
L	A	B	C	D	E	F	G	H	J	K	M
80	35	27	41	∅ 28	2	38	∅ 30	6	14	M10	16

4.2.2 Straight receptacle /Screw connection /PN:JAB-007-400-M10-2RX



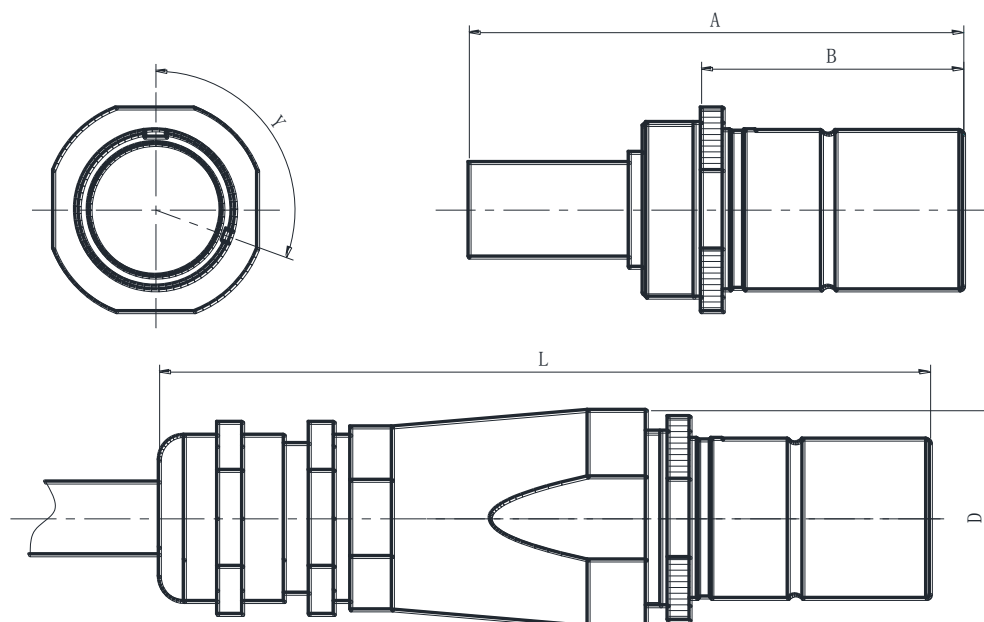
L	A	B	C	D	E	F	G	H	J
75	35	27	20	∅ 28	41	2	38	∅ 30	M10

Panel cut of 4.2.1 & 4.2.2



B [∅]	D [∅]	d [∅]
27 [∅]	∅ 30.5 [∅]	∅ 3.5 [∅]

4.2.3 Straight receptacle in line/Crimp terminal / PN:JAB-007-400-XXX-3RX



A	B	L	D
80	41	120	∅ 38

Application



Contact JAB

上海嘉铠电子科技有限公司
Shanghai JAB Electric Technology CO.,LTD

电话/Tel: +86-021-60753001
传真 Fax: +86-021-60753002
手机/Mobil: +86-13918762311
电邮/Email: zjp@jabsh.com
网站/Web: www.jabsh.com
即时通讯/Skype: joe.chow116
即时通讯 QQ: 438389296
地址/Address: 中国, 上海浦东, 金桥开发区, 浙桥路 277 号
No.277, Zheqiao Road, Pudong district, Shanghai, China