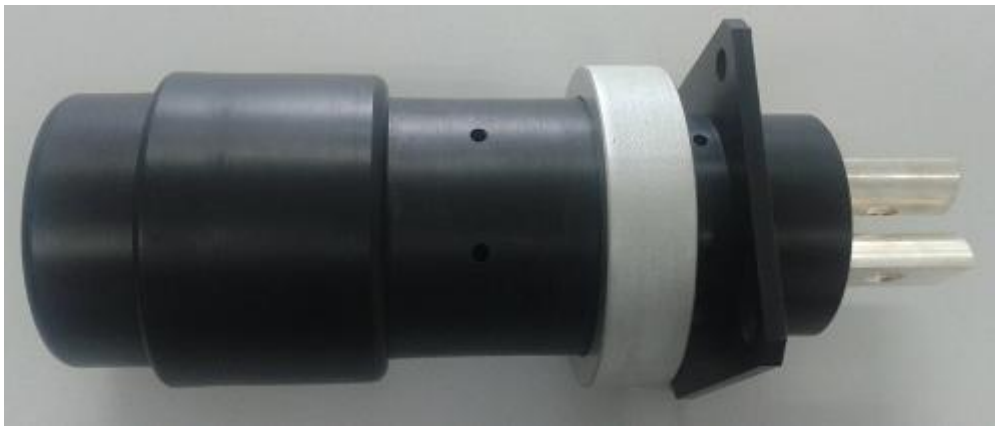


## JAB 010 series

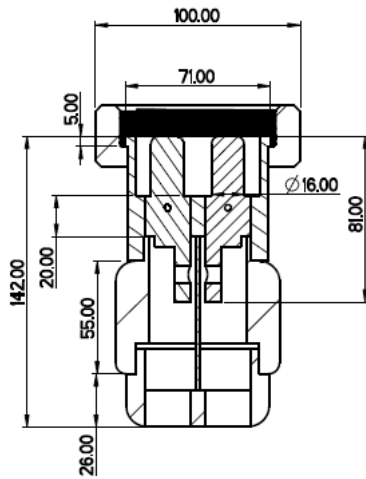


### Features & Benefits

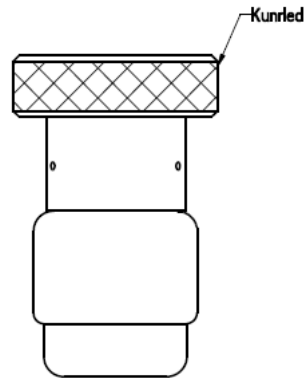
- Rated current: 400A
- Rated voltage: 600V
- 2 way
- Screw locking
- Plastic housing

## JAB 010-400A Series

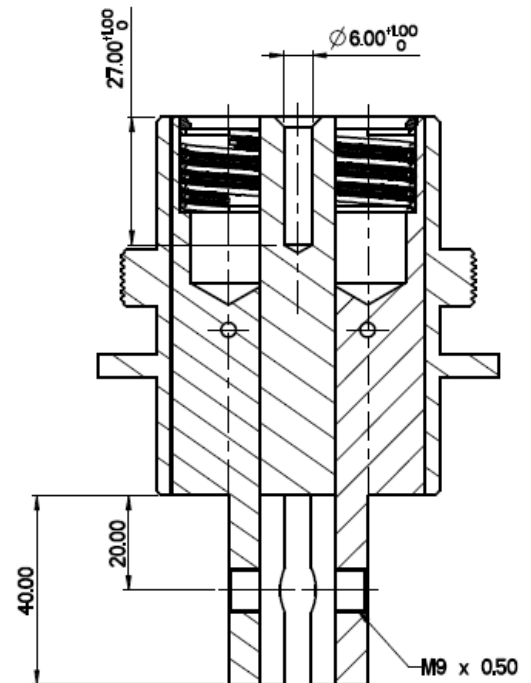
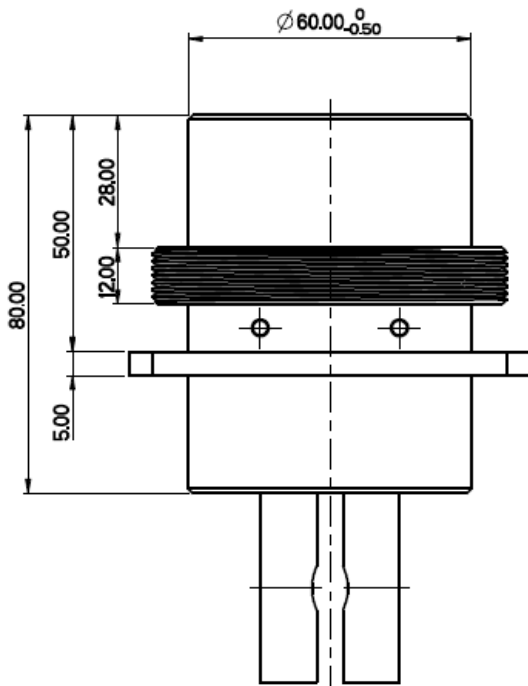
### -Plug



SECTION A-A

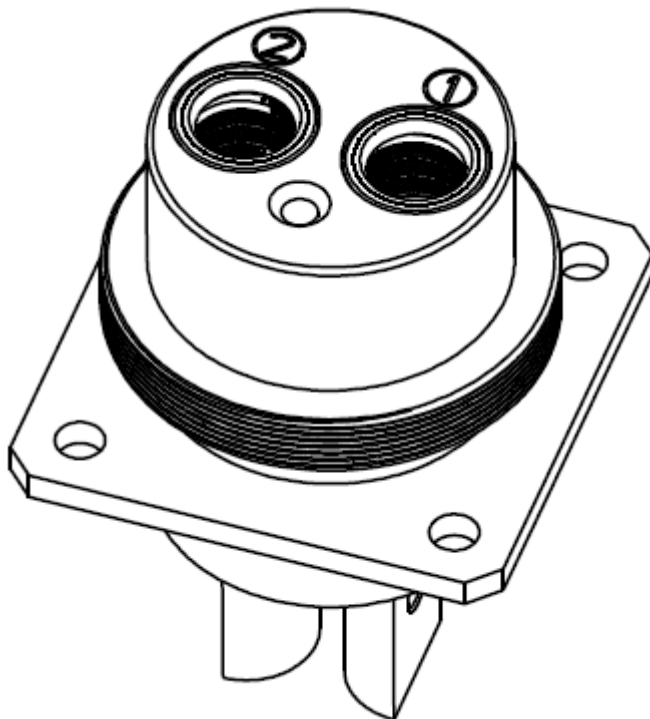
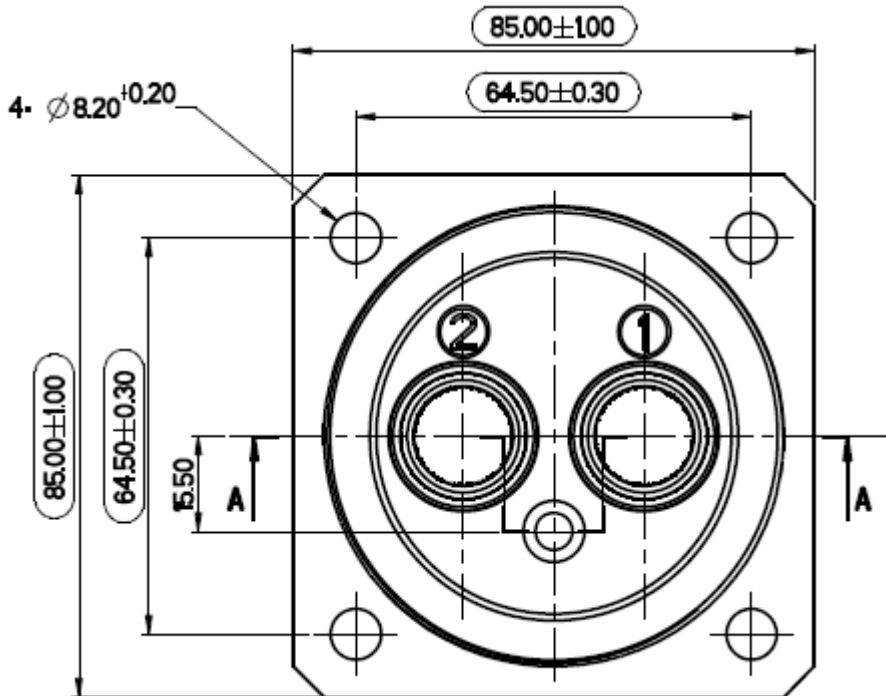


### -Receptacle



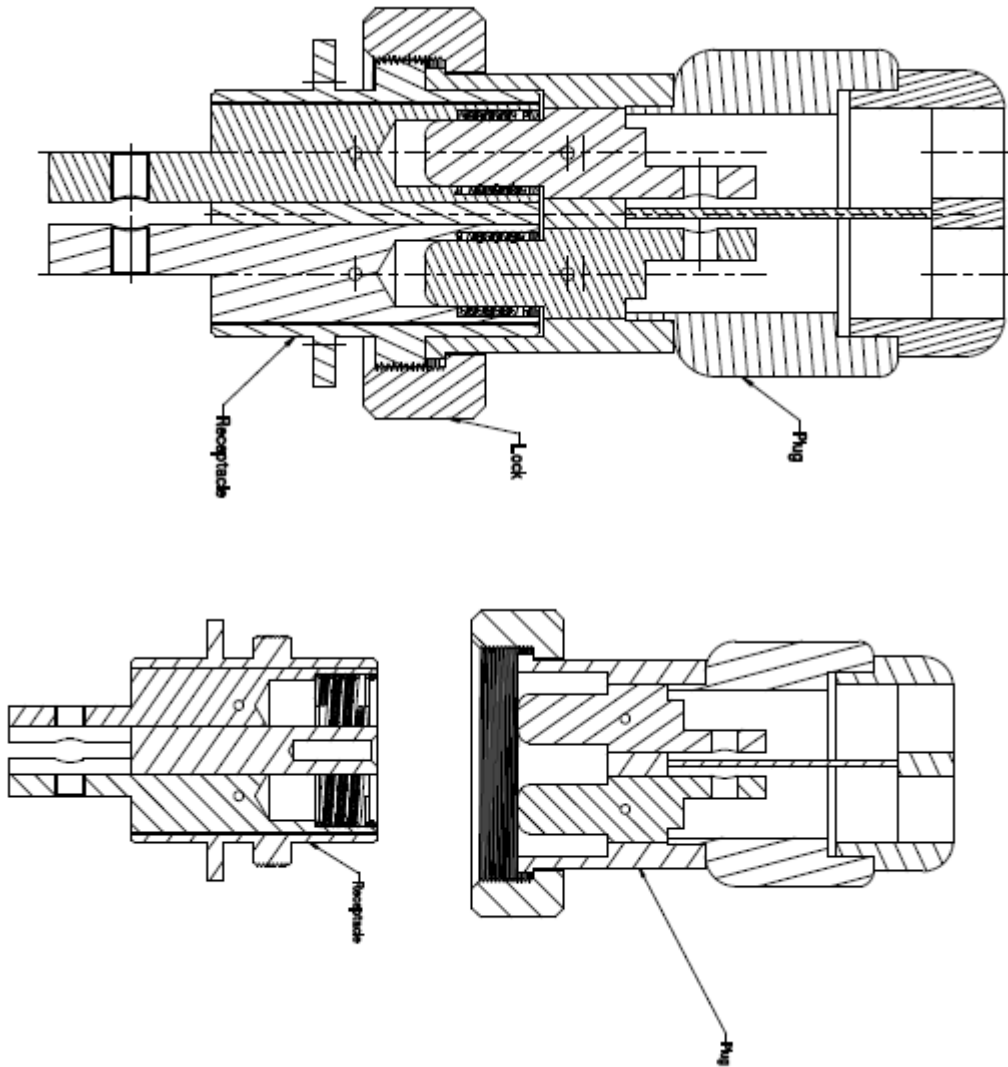
## JAB 010-400A Series

### -Receptacle



## JAB 010-400A Series

-In mated



## Application



## Contact JAB

上海嘉铠电子科技有限公司  
Shanghai JAB Electric Technology CO.,LTD

电话/Tel: +86-021-60753001  
传真 Fax: +86-021-60753002  
手机/Mobil: +86-13918762311  
电邮/Email: [zjp@jabsh.com](mailto:zjp@jabsh.com)  
网站/Web: [www.jabsh.com](http://www.jabsh.com)  
即时通讯/Skype: joe.chow116  
即时通讯 QQ: 438389296  
地址/Address: 中国, 上海浦东, 金桥开发区, 浙桥路 277 号  
No.277, Zheqiao Road, Pudong district, Shanghai, China