

## JAB 007 series



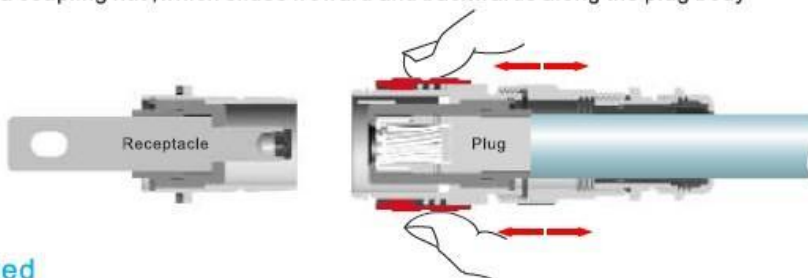
### Features & Benefits

- Rated current: 120A/200A/350A
- Nominal voltage: 800V AC/ 1000V DC
- Test voltage: 3500V AC
- JAB 360° RADSOK contact technology
- Push pull quick lock
- Single pole
- Metal housing
- IP67 waterproof
- Multicolor
- Multi keying design
- Mate cycles: >20,000
- work temperature: -40°C - +120°C

## Push pull quick lock system

### ■ How Does it work?

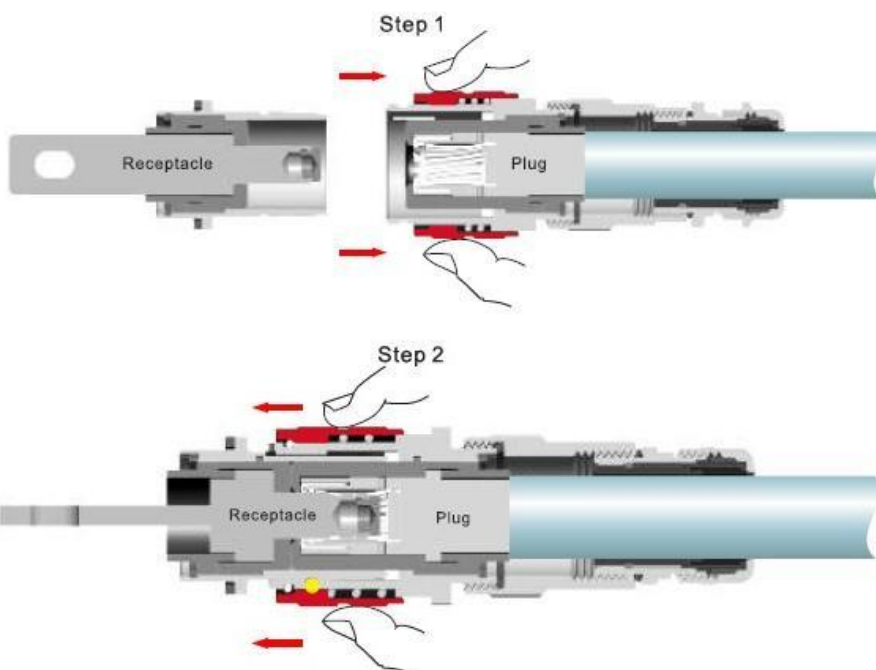
The plug has a coupling nut ,which slides froward and backwards along the plug body



### ■ When Mated

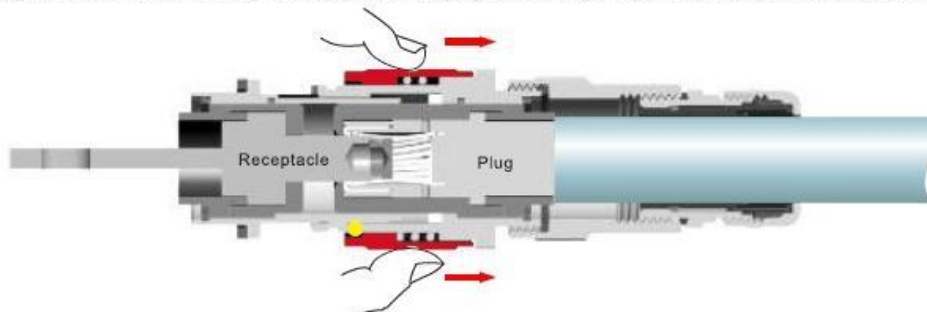
Step 1: pull back on the plug's coupling ring about 5 mm

Step 2: Align the single keyway on the plug to the key on the receptacle and push the halves together to create a locked

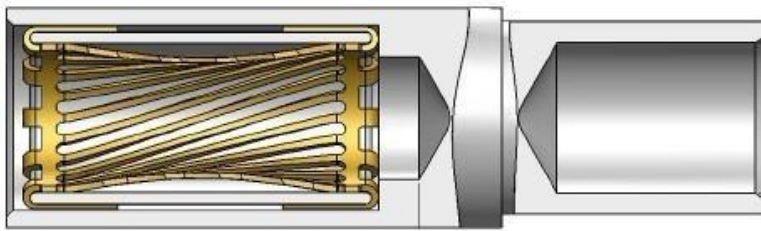
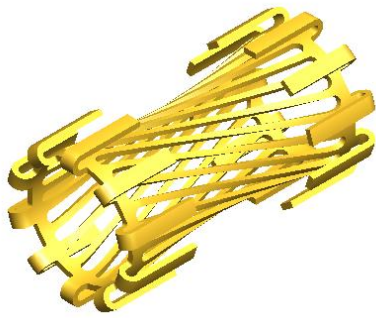


### ■ When Unplugging

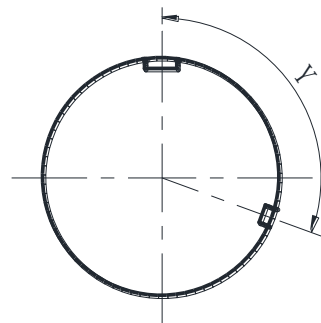
To disengage the connector simply pull back on the plug's coupling ring ,separating the connector ring



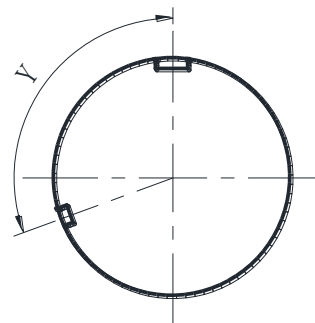
## JAB 360° RADSOK multi contact technology



### Key and colour



Receptacle (From front)



Plug (From front)

Key	Angle Y	Color
1	110°	red
2	135°	yellow
3	160°	black
4	200°	blue
5	240°	green

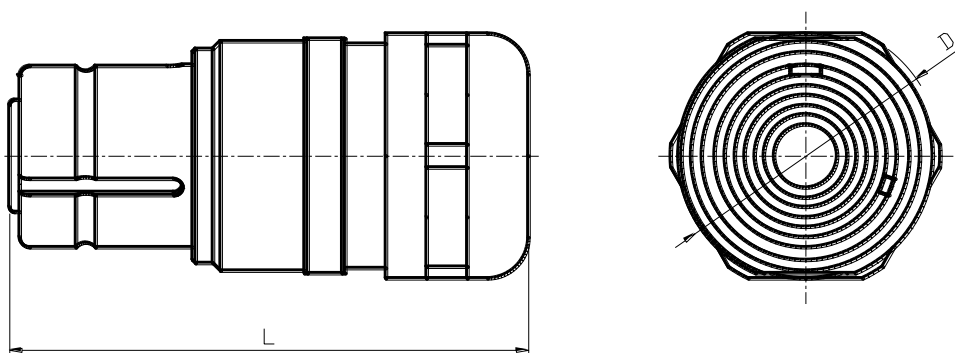
## 007-120A series

### 1.0 Benefits & feature

- Rated current :120A
- Nominal voltage: 600V
- Cable cross section area: 10mm<sup>2</sup>、16mm<sup>2</sup>、25mm<sup>2</sup>

### 1.1 Straight plug / crimp terminal

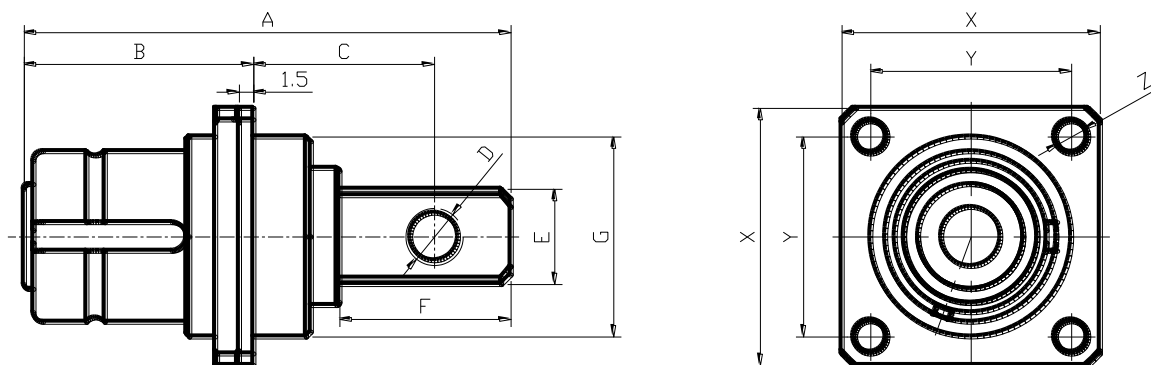
PN: JAB-007-120-**XXX**-1PX (XXX-cable cross section / X-colour)



L	D
50	∅ 28

### 1.2 Square panel mounting receptacle / Threaded hole connection

PN: JAB-007-120-M06-1RX (X-colour)



A	B	C	D	E	F	G	X	Y	Z
49.4	24	17.4	M6	10	16.4	21	27	21	∅ 3.2

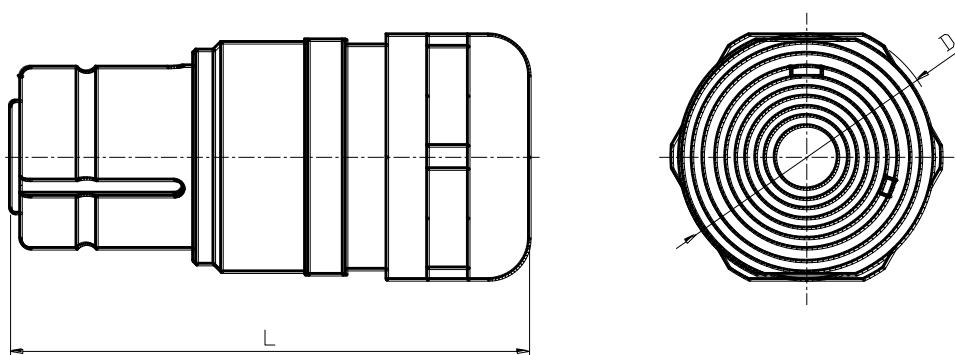
## 007-200A series

### 2.0 Benefits & feature

- Rated current :200A
- Nominal voltage: 600V
- Cable cross section area: 25mm<sup>2</sup>、35mm<sup>2</sup>、50mm<sup>2</sup>

### 2.1 Straight plug- crimp terminal

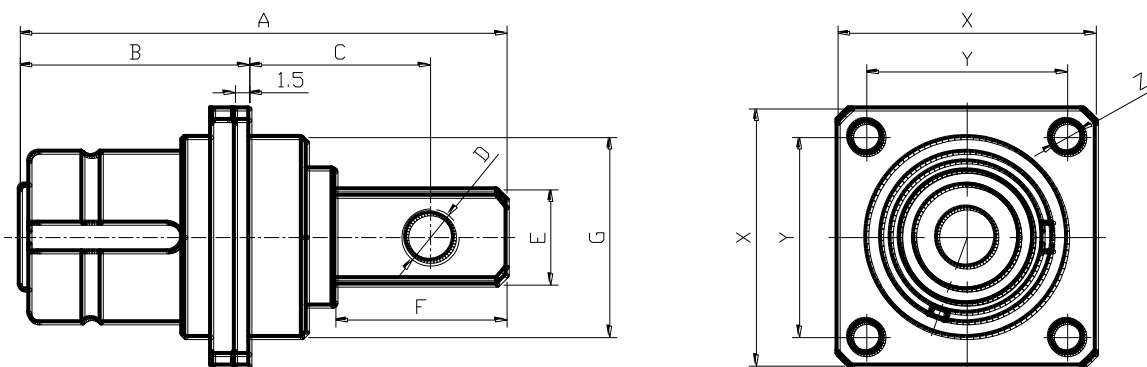
PN: JAB-007-200-XXX-1PX (XXX-cable cross section / X-colour)



L	D
60	∅ 32

### 2.2 Square panel mounting receptacle / Threaded hole connection

PN: JAB-007-200-M08-1RX (X-colour)



A	B	C	D	E	F	G	X	Y	Z
60	29.5	21.5	M8	13.5	20.5	23	31	23	∅ 4.5

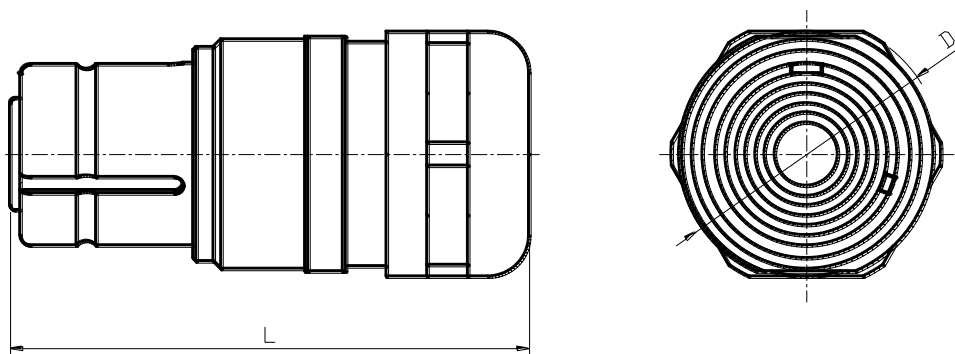
## 007-350A series

### 3.0 Benefits & feature

- Rated current :350A
- Nominal voltage: 600V
- Cable cross section area: 50mm<sup>2</sup>、70 mm<sup>2</sup>、95 mm<sup>2</sup>

### 3.1 Straight plug – crimp terminal

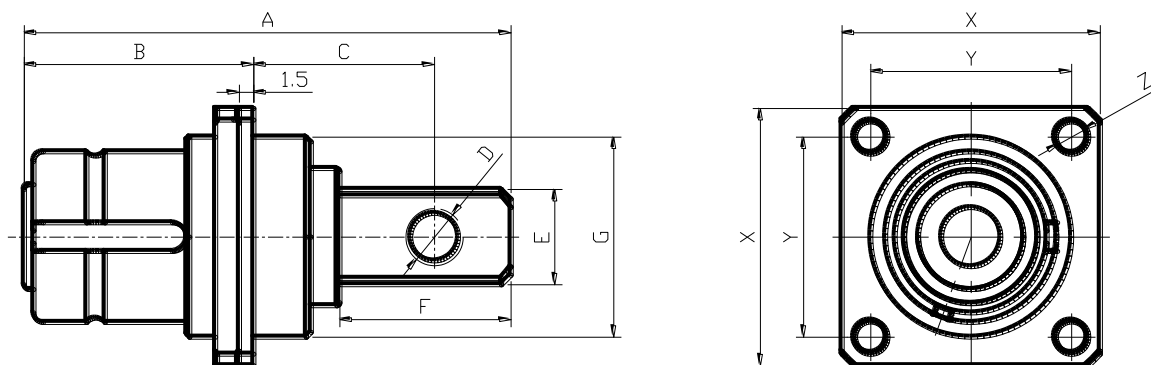
PN: JAB-007-350-XXX-1PX (XXX-cable cross section / X-colour)



L	D
70	∅ 38

### 3.2 Square panel mounting receptacle / Threaded hole connection

PN: JAB-007-350-M10-1RX (X-colour)



A	B	C	D	E	F	G	X	Y	Z
73.5	31.5	30	M10	19	27.5	31	38	29.4	∅ 4.5



## Application



## Contact JAB

上海嘉铠电子科技有限公司  
Shanghai JAB Electric Technology CO.,LTD

电话/Tel: +86-021-60753001

传真 Fax: +86-021-60753002

手机/Mobil: +86-13918762311

电邮/Email: [zjp@jabsh.com](mailto:zjp@jabsh.com)

网站/Web: [www.jabsh.com](http://www.jabsh.com)

即时通讯/Skype: joe.chow116

即时通讯 QQ: 438389296

地址/Address: 中国, 上海浦东, 金桥开发区, 浙桥路 277 号  
No.277, Zheqiao Road, Pudong district, Shanghai, China